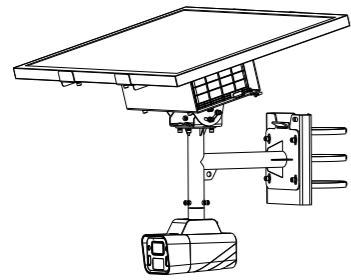


Network Camera Quick Start Guide



About This Manual

All pictures, images, icons and snapshots in this manual are for reference only. If there is inconsistency between the manual and the actual product, the actual product shall prevail. The manual will be updated according to the product improvement and are subject to change without prior written notice.

Legal Disclaimer

To the maximum extent permitted by applicable law, the product described, with its hardware, software, software and firmware, is provided "as is", with all faults and errors, and our company makes no warranties, express or implied, including particular purpose, and non-infringement of third party. In no event will our company, offices, or agents be liable to you for any special, consequential, incidental, or indirect damages, including, among others, damages for loss of business profits, business interruption, or loss of data or documentation, in connection with the use of this product, even if our company has been advised of the possibility of such damages.

With regard to the product with internet access, the use of product shall be wholly at your own risks. Our company shall be irresponsible for abnormal operation, privacy leakage or other damages resulting from cyber attack, hacker attack, virus inspection, or other internet security risks; however, our company will provide timely technical support if necessary.

During the use of the device, please strictly abide by applicable law. In the event of any conflicts between this manual and the applicable law, the later prevails.

Battery

Risk of explosion if the battery is replaced by an incorrect type. Properly dispose of your used batteries in accordance with applicable laws and regulations. Improper replacement of the battery with an incorrect type may defeat a safeguard. Do not dispose of the battery into fire or a hot oven, or mechanically crush or cut the battery, which may result in an explosion. Do not leave the battery in an extremely high temperature surrounding environment, which may cause an explosion or the leakage of flammable liquid or gas. Do not subject the battery to extremely low air pressure, which may cause an explosion or the leakage of flammable liquid or gas.

It is recommended to charge the Li-ion Battery after 3 months storage.

Installation and Use

Please use our product according to the following safety instructions and warnings.

Do not place the camera in extremely hot, cold, dusty or damp location.

Do not install the device near power lines, radar equipment or other electromagnetic radiation.

Do not install near sources of heat.

Do not expose the device to heavy stress, violent vibration or long-term exposure to water and humidity during transportation, storage, and/or installation.

If the product does not work properly, please contact your dealer or the nearest service center.

Never attempt to disassemble the camera yourself. (We shall not be responsible for any problems caused by unauthorized repair or maintenance.)

Never place the device in an unstable location. The device may fall, resulting in serious personal injury or death.

All installation and operation here should conform to local electrical safety codes.

The product must be grounded to reduce the risk of electric shock.

If cleaning is necessary, please use clean cloth to wipe it gently, avoiding water or alcohol. If there are too much dust, use a cloth dampened with a small quantity of neutral detergent. Finally use the dry cloth to clean.

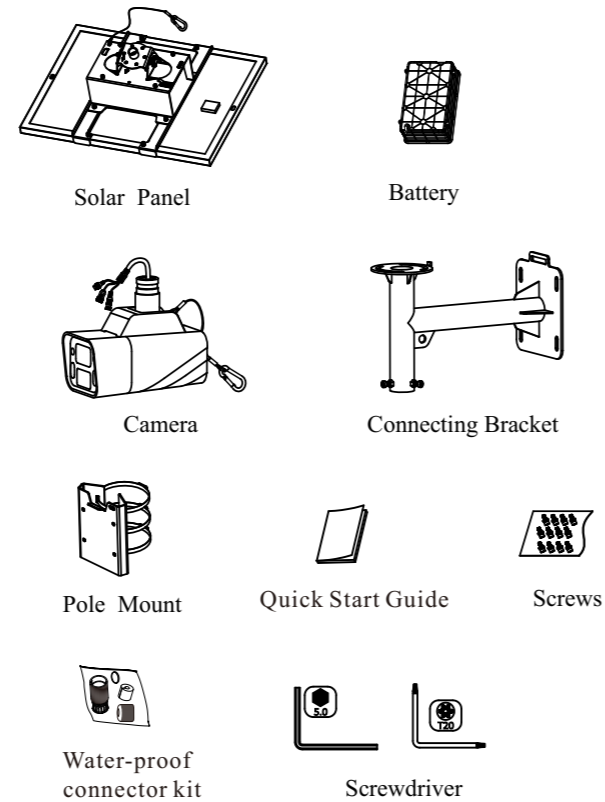
White Light Illuminator

DO NOT turn on the white light when you install or maintain the camera. Please wear appropriate eye protection when you want to test the white light. DO NOT stare at the operating light source.

It will probably be harmful to your eyes.

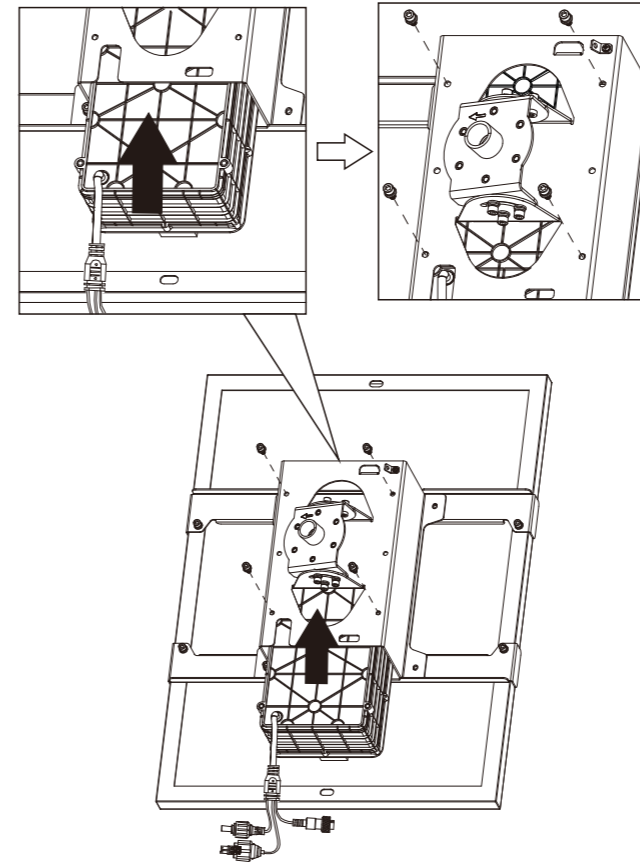
Transportation

Keep the device in original or similar packing while transporting it.

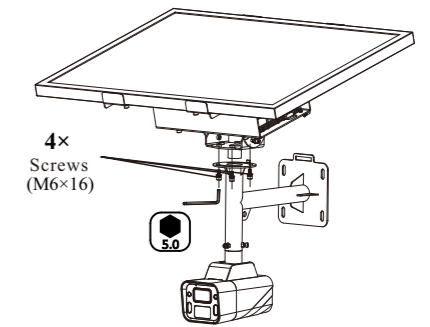


Note: Before installing the camera outside, please activate and configure the camera first (see Login via Web for details).

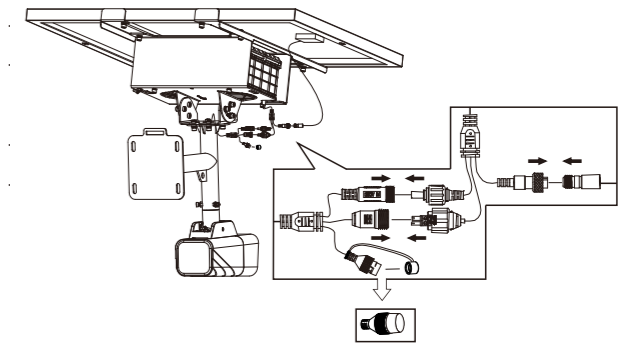
Battery Installation



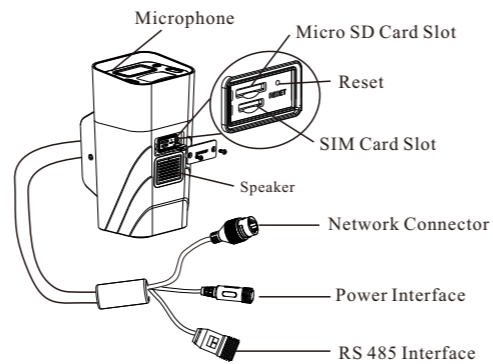
3. Use 4 screws provided to secure the connecting bracket and the solar panel.



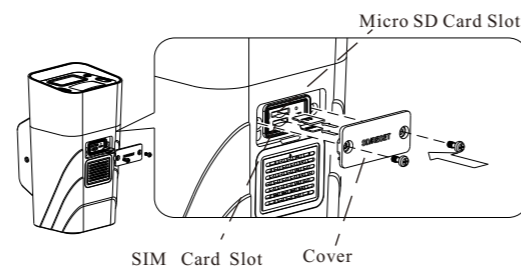
4. Connect the relevant cables and tighten these connectors. After that, install the rubber cap to the network connector.



Overview



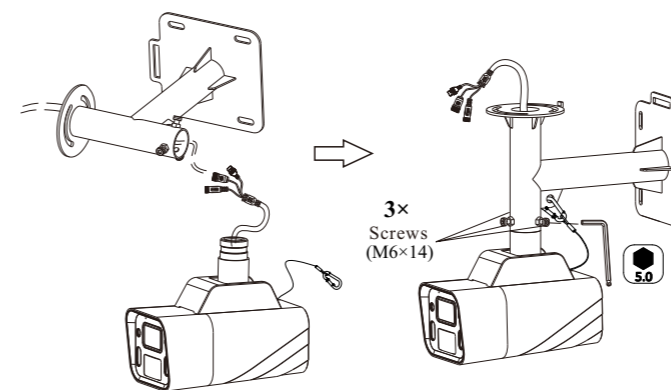
SD Card and SIM Card Installation



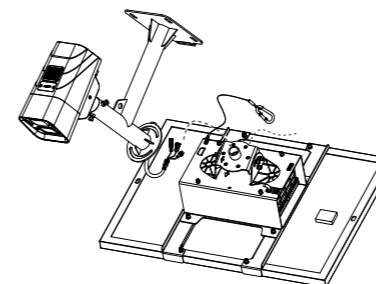
1. Loosen the two screws on the cover of the camera to remove the cover.
2. Insert a micro SD card and a SIM card as shown above. After that, install the cover back. Please make sure the cover is firmly installed.

Device Installation

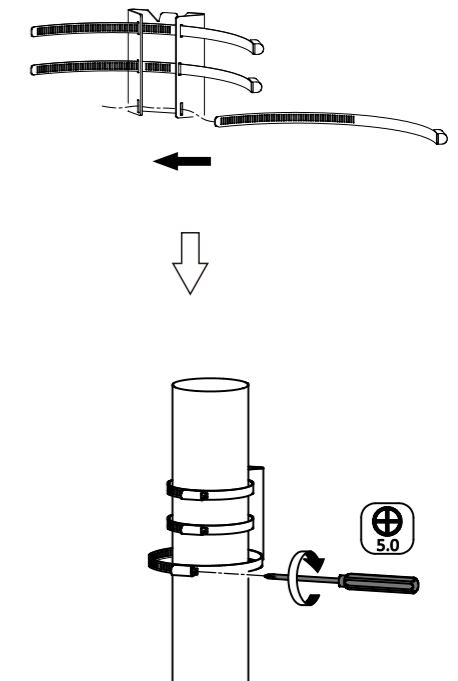
1. Thread the cables through the connecting bracket and hook the safety wire to the bracket. Then fasten the camera and bracket with 3 screws provided.



2. Run the cables of the camera through the bracket of the solar panel shown below.

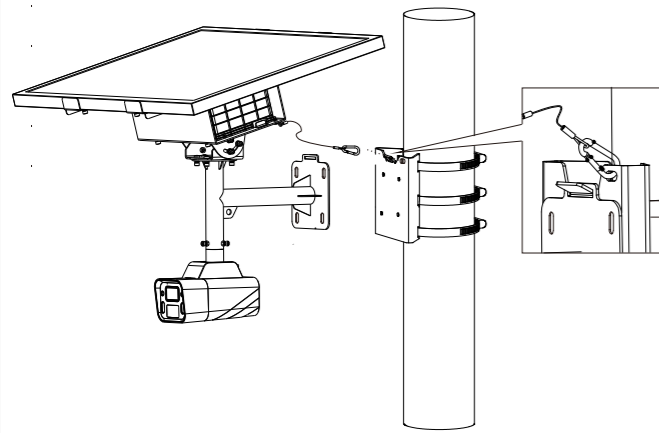


5. Install the pole mount to a pole as shown below.

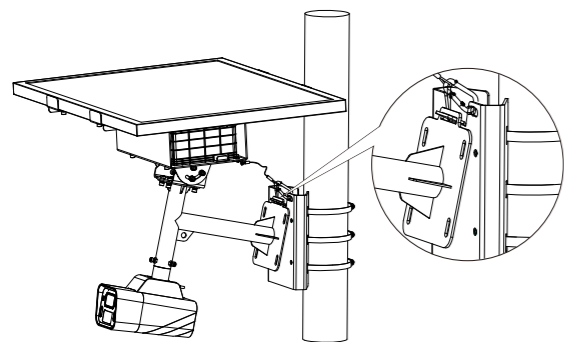


Note: The pole mount is available for the pole that ranges from 80 to 120mm in diameter.

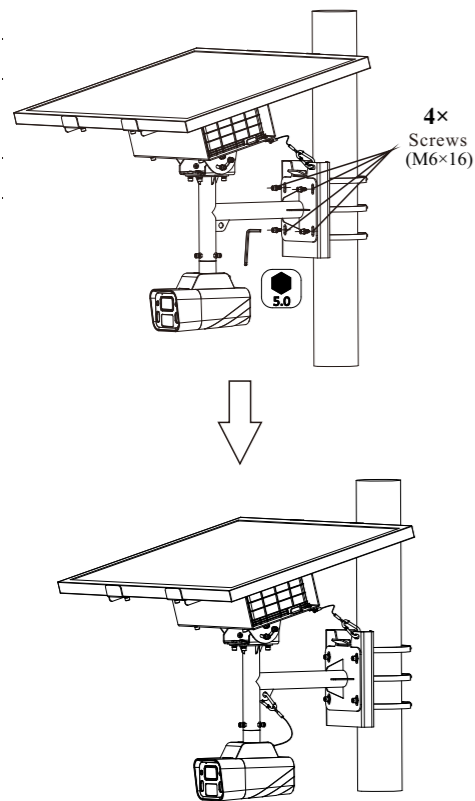
6. Hook the safety wire of the solar panel to the pole mount.



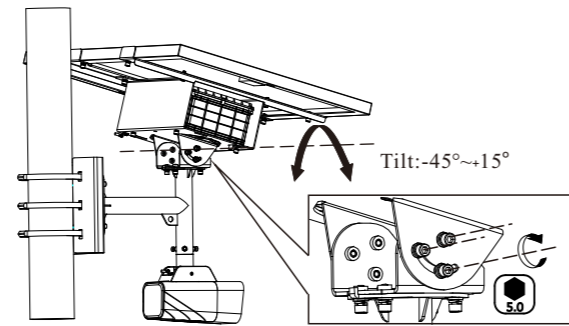
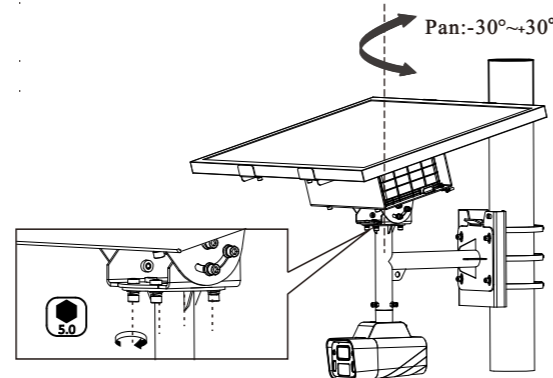
7. Hook the connecting bracket onto the pole mount.



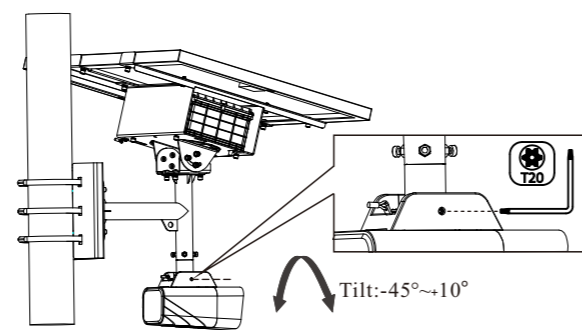
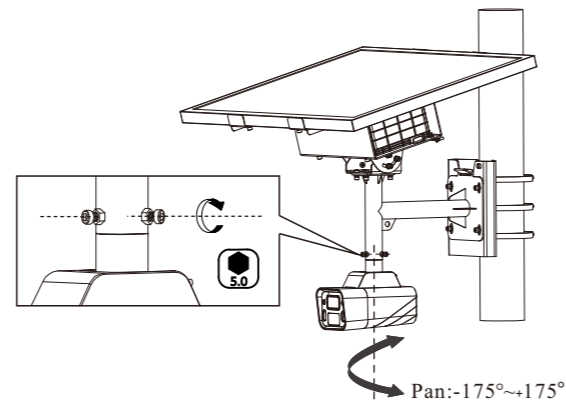
8. Secure the connecting bracket onto the pole mount with 4 screws provided.



9. Loosen the adjusting screws of the bracket of the solar panel to adjust the angle of the solar panel. After finishing the adjustment, tighten these screws.



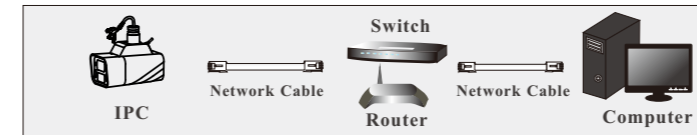
10. Loosen the adjusting screws of the connecting bracket to adjust the viewing angle of the camera. After finishing the adjustment, tighten these screws.



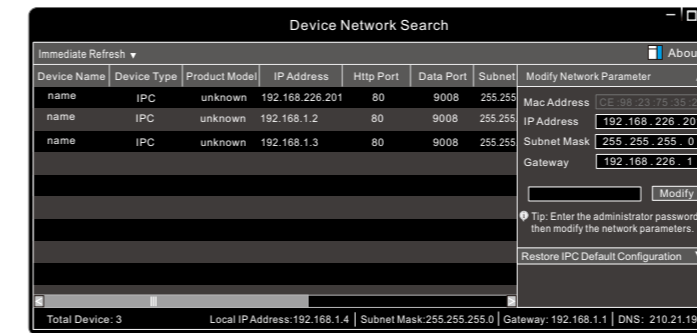
Login via Web

If it is the first time for you to use the camera, please activate the camera via LAN.

Access Through IP-Tool



- 1 Make sure that the camera and the PC are connected via LAN.
- 2 Find the IP-Tool from the supplier and then install it in the computer. After that, run the IP-Tool as shown below.



- 3 Double click the camera information listed in the IP-Tool to open the web browser.

The default IP address of this camera is **192.168.226.201**.

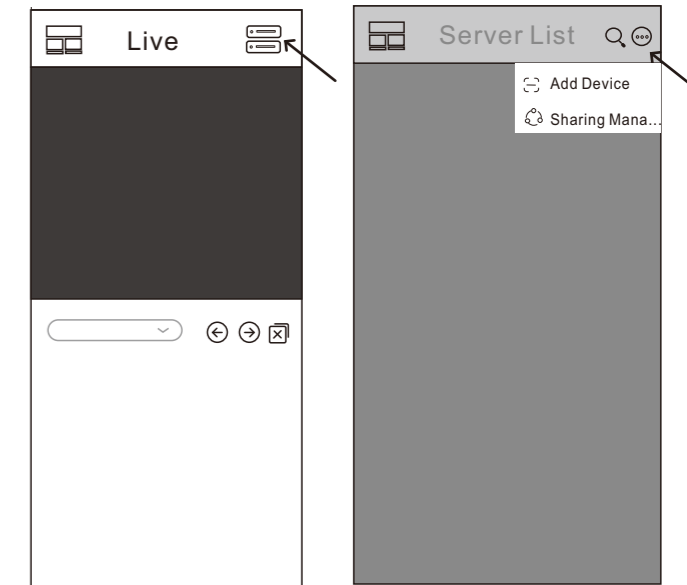
Available Web Browser: IE(plug-in required) /Google Chrome/ Firefox/Safari/Edge

It is recommended to use the latest version of the above browsers.

- 4 Read the privacy statement and then activate the device. The default username is **admin**. You need to self-define the password. Then set the security questions and answers. It is important for you to remember these answers, or you will not be able to reset your password.
- 5 Follow directions to download and install the plugin if prompted. After you log in, you can configure your camera as needed. After that, go to Config→System→Basic Information interface to view QR Code and device ID.
- 6 Insert a SIM card and make sure the SIM card works normally. Then disconnect the network cable. After that, enter www.autonat.com in the address bar of your web browser to log in. In the login interface, please enter the QR code number (device ID), username and password.

Login via APP

1. Make sure the device has been connected to the wireless network.
2. Install the surveillance APP on your phone.
3. Open your APP and then log in your account. If you don't have an APP account, it is recommended to register one. Then tap server list icon on the top right corner of the live interface.
4. Tap and select "Add Device" to scan the QR Code of the device.



5. Enter the username and password to add your device. If your device is not activated, please activate it first via Web (See Login via Web for details).

APP

Use your phone to scan the QR code to download the mobile APP

Device

Use the mobile APP to scan the QR code to quickly add the camera